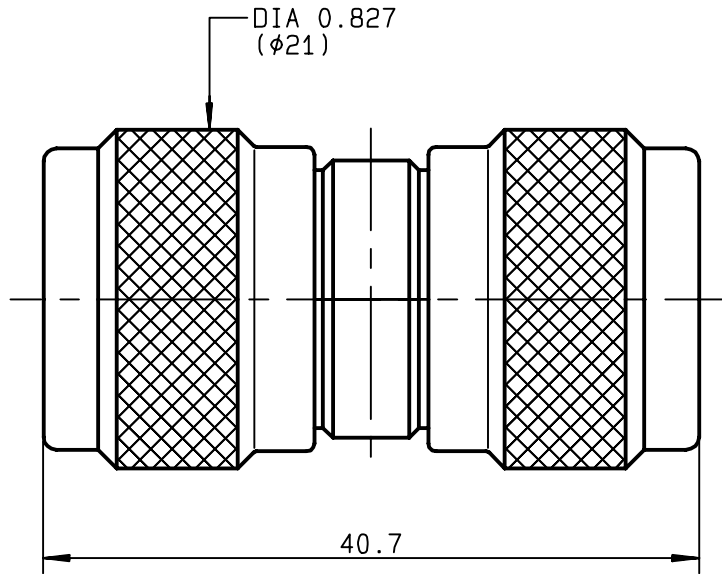


**MALE-MALE ADAPTOR**

**R161.703.500**

**SERIES**

**N-18**



|                                 |                                  |                            |                          |                  |
|---------------------------------|----------------------------------|----------------------------|--------------------------|------------------|
| NOMINAL IMPEDANCE               | <b>50</b> Ω                      | CABLES :                   |                          |                  |
| FREQUENCY RANGE                 | <b>0-18</b> GHz                  |                            |                          |                  |
| TEMPERATURE RATING              | <b>+10/+30</b> °C                |                            |                          |                  |
| V.S.W.R                         | <b>1.05 + .005</b> x F(GHz)Maxi  |                            |                          |                  |
| RF INSERTION LOSS               | <b>0.02</b> √F(GHz) dB Maxi      |                            |                          |                  |
| VOLTAGE RATING                  | <b>1400</b> Veff Maxi            |                            |                          |                  |
| DIELECTRIC WITHSTANDING VOLTAGE | <b>2500</b> Veff Mini            |                            |                          |                  |
| INSULATION RESISTANCE           | <b>5000</b> MΩMini               |                            | OTHERS CHARACTERISTICS   |                  |
| HERMETIC SEAL                   | <b>NA</b> Atm.cm <sup>3</sup> /s |                            | CABLE RETENTION          | <b>NA</b> N Mini |
| LEAKAGE (pressurized only)      | <b>NA</b>                        |                            | CENTER CONTACT RETENTION |                  |
| MECHANICAL DURABILITY           | <b>500</b> Cycles                | Axial force - mating end   | <b>NA</b> N Mini         |                  |
| WEIGHT                          | gr                               | Axial force - opposite end | <b>NA</b> N Mini         |                  |
| SPECIFICATION                   |                                  | Torque                     | <b>NA</b> cm.N Mini      |                  |
|                                 |                                  | RECOMMENDED TORQUES        |                          |                  |
|                                 |                                  | Mating                     | <b>130</b> cm.N          |                  |
|                                 |                                  | Panel nut                  | <b>NA</b> cm.N           |                  |
|                                 |                                  | Clamp nut                  | <b>NA</b> cm.N           |                  |

| CONNECTOR PARTS | MATERIALS | FINISH                 | (all values are given )<br>in micrometers |
|-----------------|-----------|------------------------|---|
| BODY            | BRASS     | BBR 2                  |   |
| OUTER CONTACT   |           |                        |   |
| CENTER CONTACT  | BRASS     | GOLD 0.5 OVER NICKEL 2 |   |
| INSULATOR       |           | -                      |   |
| GASKET          |           | -                      |   |
| OTHERS PIECES   | BRASS     | BBR 2                  |   |

|                |                   |                    |
|----------------|-------------------|--------------------|
| ISSUE          | CREATION DATE     | FILE PART-NUMBER   |
| <b>9813C00</b> | <b>03/07/1997</b> | <b>97-0104-720</b> |



**RADIALL®**

QUERIN

The information given here is subject to change without notice.  
Design changes may be in order to improve the product .

*Connect to the future*